

Adapters for Elbow Connector ANW

Suction cup connection from M3 to G1/2"



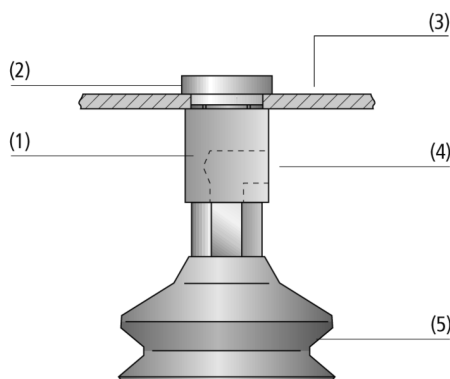
Suitability for industry specific applications

Application

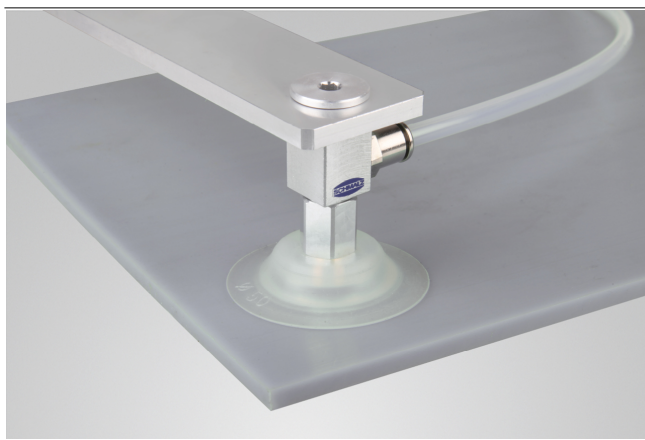
- Adapter for elbow connector for use in restricted spaces
- Adapter for side connection ANW permits mounting on other accessories such as spring plungers or, together with mounting adapter VRS-AN, on standard holders or mounting brackets



Adapters for Elbow Connector ANW



System design Adapters for Elbow Connector ANW



Mounting example adapters for elbow connector ANW

Design

- Adapter for elbow connector ANW (1) made of galvanized steel with underside connection thread for suction cups (5) and side vacuum connection (4)
- Mounting thread without vacuum connector at the top
- Mounting adapter VRS-AN (2) made of galvanized steel for screwing into further accessories or mounting to adapt for elbow connector ANW
- Connection to metal sheet (3) with a thickness of at least 3.5 mm

Product highlights

- Minimized sizes allow direct installation of suction cups in the beam
- Space-saving, as vacuum connection on the side
- Connection threads from M3 to G1/2" allow the use of all standard suction cups

Adapters for Elbow Connector ANW

Suction cup connection from M3 to G1/2"

Designation code Adapters for Elbow Connector ANW



1 – Abbreviated designation

Code	Version
ANW	ANW

2 – Vacuum connection

Code	Connection
M5-IG	M5-IG (IG = female (F))
G1/8-IG	G1/8-IG
G3/8-IG	G3/8-IG

3 – Suction cup connection

Code	Connection
M3-IG	M3-IG (IG = female (F))
M5-IG	M5-IG
G1/8-AG	G1/8-AG (AG = male (M))
G1/4-AG	G1/4-AG
G3/8-AG	G3/8-AG
G1/2-AG	G1/2-AG

Adapter for elbow connector ANW is delivered as a ready to connect product.

Available accessories: mounting adapter VRS-AN

Ordering data Adapters for Elbow Connector ANW

Type	Part no.
ANW M5-IG M3-IG	10.01.01.12917
ANW M5-IG M5-IG	10.01.01.10149
ANW G1/8-IG G1/4-AG	10.01.01.10112
ANW G1/8-IG G1/8-AG	10.01.01.10113
ANW G3/8-IG G1/2-AG	10.01.01.10111
ANW G3/8-IG G3/8-AG	10.01.01.11618

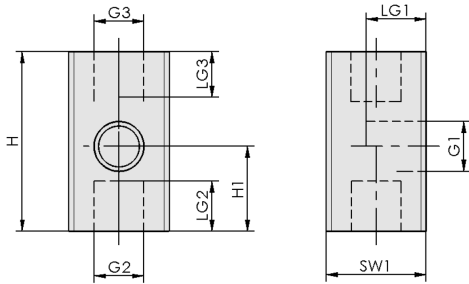
Ordering data Accessories Adapters for Elbow Connector ANW

Type	Accessories	Part no.
ANW M5-IG M3-IG	Sealing screw with collar	VRS-AN M5-AG 10.01.01.10150
ANW M5-IG M5-IG	Sealing screw with collar	VRS-AN M5-AG 10.01.01.10150
ANW G1/8-IG G1/8-AG	Sealing screw with collar	VRS-AN G1/8-AG 10.01.01.10119
ANW G1/8-IG G1/4-AG	Sealing screw with collar	VRS-AN G1/4-AG 10.01.01.10118
ANW G3/8-IG G1/2-AG	Sealing screw with collar	VRS-AN G1/2-AG 10.01.01.10117
ANW G3/8-IG G3/8-AG	Sealing screw with collar	VRS-AN G1/2-AG 10.01.01.10117

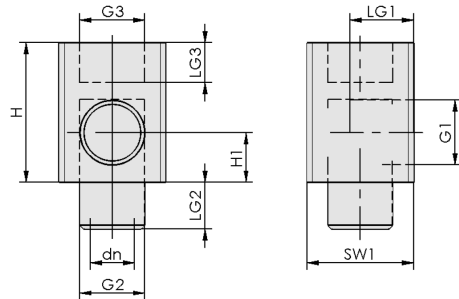
Adapters for Elbow Connector ANW

Suction cup connection from M3 to G1/2"

Design data Adapters for Elbow Connector ANW



ANW M5-IG M3-IG - M5-IG M5-IG



ANW G1/8-IG G1/8-AG - G3/8-IG G1/2-AG

Adapters for Elbow Connector ANW

Suction cup connection from M3 to G1/2"

Design data Adapters for Elbow Connector ANW

Type	dn [mm]	G1	G2		H [mm]	H1 [mm]	LG1 [mm]	LG2 [mm]	LG3 [mm]	SW1 [mm]
ANW M5-IG M3-IG	-	M5-F	M3-F	M5-F	18	8.5	6.0	5	5	10
ANW M5-IG M5-IG	-	M5-F	M5-F	M5-F	18	8.5	6.0	5	5	10
ANW G1/8-IG G1/4-AG	8.0	G1/8"-F	G1/4"-M	G1/4"-F	26	8.0	11.0	10	10	18
ANW G1/8-IG G1/8-AG	6.6	G1/8"-F	G1/8"-M	G1/8"-F	21	7.5	9.5	7	6	16
ANW G3/8-IG G1/2-AG	10.0	G3/8"-F	G1/2"-M	G1/2"-F	35	10.5	13.0	10	12	24
ANW G3/8-IG G3/8-AG	10.0	G3/8"-F	G3/8"-M	G1/2"-F	35	10.5	13.0	10	12	24